

ACCENT SERIES



ADJUSTABLE RAIL LIGHTING SYSTEM

Articulated mini projector rail system
specifically developed for lighting
precision.

Series Description

The Accent Series is a low voltage rail system with attachable and adjustable LED mini projectors to suit.

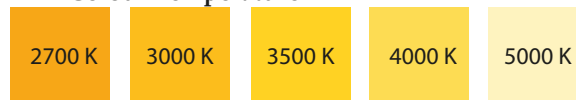
The projectors are attached magnetically to the rail with a low voltage driver, allowing for a totally modular lighting without any implementation constraints.

These these projectors contain "calibrators" (adjustable with a small screwdriver) for controlling the intensity of each individual light source from 30% to 100%. The combination of excellent performance and miniaturization provides the ideal solution for totally flexible lighting and discreet design needs. Several models are available to achieve the desired lighting features. The series consists of the rail, takes the micro, meso and macro LED light heads.

Standards



Colour Temperature



Lense Degrees



Finishes



- **Accent Micro**

The Accent Micro is an articulated mini projector specifically developed for lighting precision. It comprises a light emitting power diode (LED) for an interior lighting quality of unmatched performance and reliability.

The Accent Micro system is easily integrated into showcases, display furniture, and small spaces in general.

General Information

Series	Accent
Connection Type	Magnetic power track
Colour	Black, White, Chrome, Brass, Custom

Operating & Electrical

Input Voltage	8 - 28 V
LED Power	1.5W
Power Usage	2.5W max.
LED Supply Current	0 - 500 mA

Control & Dimming

Dimmable	Yes
Control Signal	DIM PWM

Lighting & Optical Data

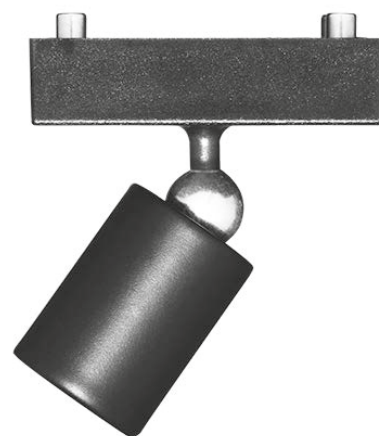
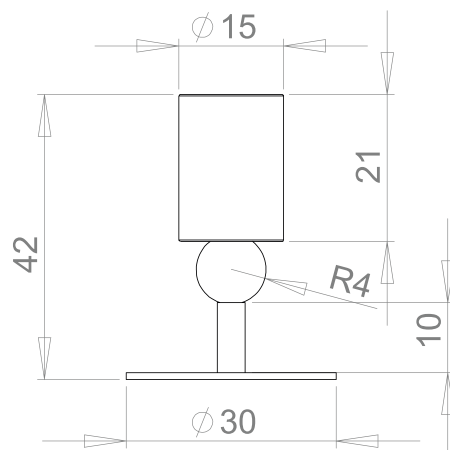
Lumious Flux	120 - 150 lm
CRI	Ra 90
LED Service Range (70%)	25 000 hr
Colour Temperature (K)	2700, 3000, 3500, 4000, 5000
Optic Cover / Lens	Yes
Beam Angle	16°, 24°, 40°, ELL

Mechanical Data

Unit Diameter	20 mm
Height above rail	32 mm
Weight	25 gr

Certification & Guarantee

Standards	CE, ETL, BS EN 60598, BS EN 62471
IP Rating	IP 40
Protection Class IEC	Class III
Guarantee	3 Yrs



- Accent Meso**

The Accent Meso is an articulated compact projector specifically developed for lighting precision. It comprises a light emitting power diode (LED) for an interior lighting quality of unmatched performance and reliability.

The Accent Meso attaches magnetically to the "Accent Rail" power track allowing for a totally modular lighting without any implementation constraints.

General Information

Series	Accent
Connection Type	Magnetic power track
Colour	Black, White, Chrome, Brass, Custom

Operating & Electrical

Input Voltage	8 - 28 V
LED Power	3W
Power Usage	4W max.
LED Supply Current	0 - 700 mA

Control & Dimming

Dimmable	Yes
Control Signal	DIM PWM

Lighting & Optical Data

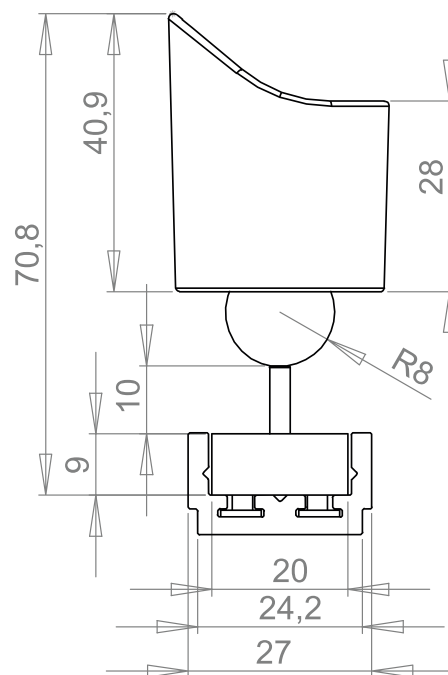
Lumious Flux	200 lm max.
CRI	Ra 90
LED Service Range (70%)	50 000 hr
Colour Temperature (K)	2700, 3000, 3500, 4000, 5000
Optic Cover / Lens	Yes
Beam Angle	10°, 18°, 28°, 40°, ELL

Mechanical Data

Unit Diameter	32.1 mm
Height above rail	61.8 mm
Weight	63 gr

Certification & Guarantee

Standards	CE, ETL, BS EN 60598, BS EN 62471
IP Rating	IP 40
Protection Class IEC	Class III
Guarantee	3 Yrs



- **Accent Macro**

The Accent Macro is a larger version of the "Accent Meso", part of the Accent series.

The Accent Macro attaches magnetically to the "Accent Rail" power track allowing for a totally modular lighting without any implementation constraints. It is the ideal solution for a totally flexible and discreet lighting design.

General Information

Series	Accent
Connection Type	Magnetic power track
Colour	Black, White, Chrome, Brass, Custom

Operating & Electrical

Input Voltage	8 - 28 V
LED Power	3 - 10W
Power Usage	11W max.
LED Supply Current	0 - 700 mA

Control & Dimming

Dimmable	Yes
Control Signal	DIM PWM

Lighting & Optical Data

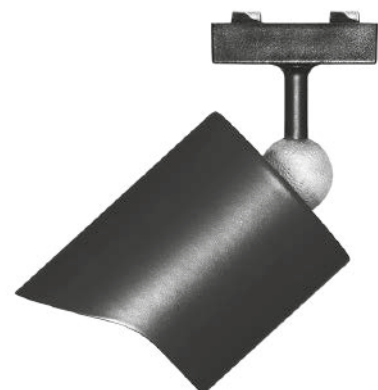
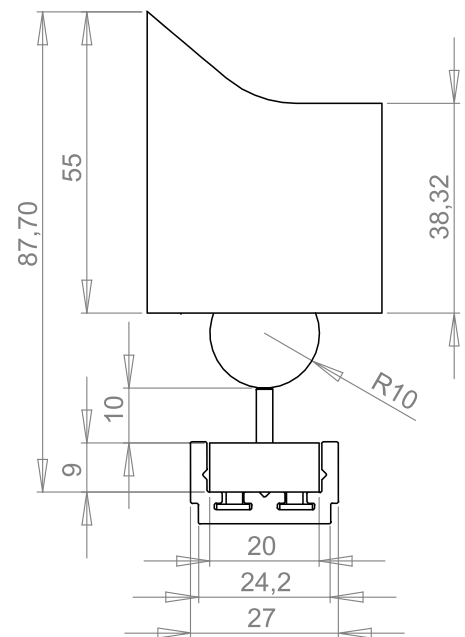
Lumious Flux (lens dependant)	300, 500, 900
CRI	Ra 90
LED Service Range (70%)	50 000 hr
Colour Temperature (K)	3000, 3500, 4000
Optic Cover / Lens	Yes
Beam Angle	7°, 11°, 18°, 23° 28°, 34°

Mechanical Data

Unit Diameter	42.8 mm
Height above rail	78.5 mm
Weight	142 gr

Certification & Guarantee

Standards	CE, ETL, BS EN 60598, BS EN 62471
IP Rating	IP 40
Protection Class IEC	Class III
Guarantee	3 Yrs



- Accent Rail**

This low voltage track system (24 volt supply) can be placed and powered in any position with the "Accent Micro", "Accent Meso" and "Accent Macro" light outputs using magnetic conductors.

By using magnetic contacts for different lighting sources you can achieve a totally modular and unlimited freedom of placement.



General Information

Series	Accent
Driver / Power Unit	xxx
Driver Included?	Yes
Connection Type	AC Power lead
Material	Polycarbonate
Colour	Black, White
System Compatibilities	Accent Micro Accent Meso Accent Macro

Operating & Electrical

Input Voltage	220 - 240 V
Input Frequency	xxx Hz
Output Track Voltage	8 - 28 V

Mechanical Data

Length	2000 mm max.
Height	15 mm
Width	27 mm
Weight	N/A

Certification & Guarantee

Standards	CE, ETL, BS EN 60598, BS EN 62471
IP Rating	IP 40, IP 68
K Rating	N/A
Protection Class IEC	Class III
Guarantee	3 Yrs

